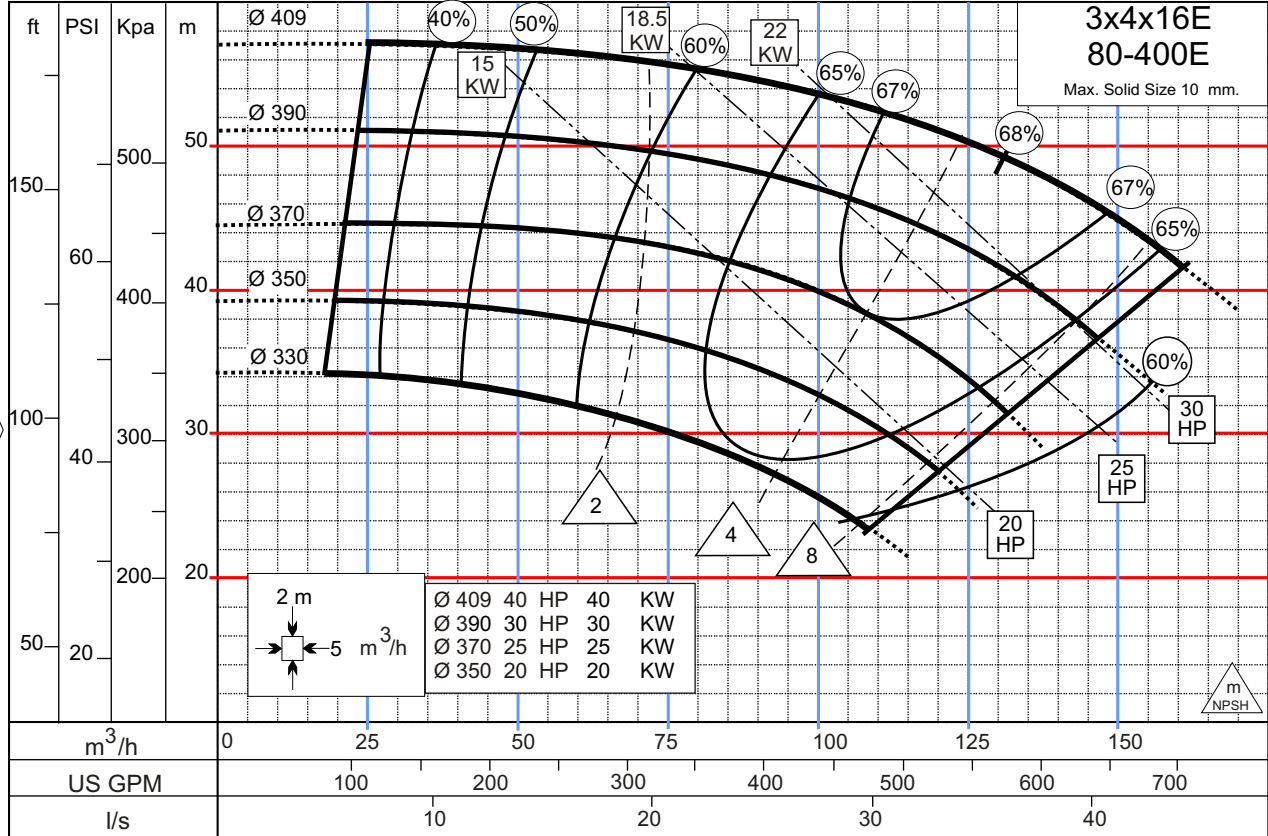


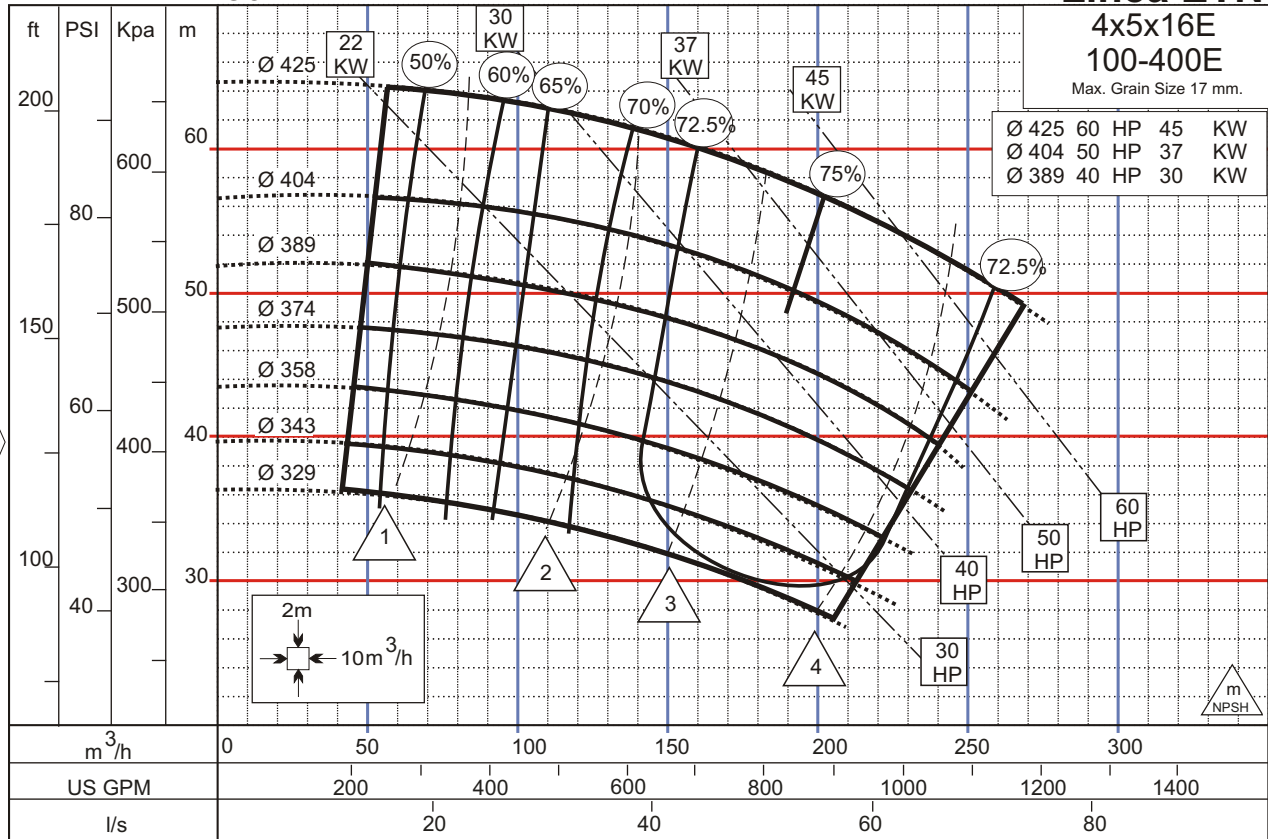
3x4x16E  
80-400E

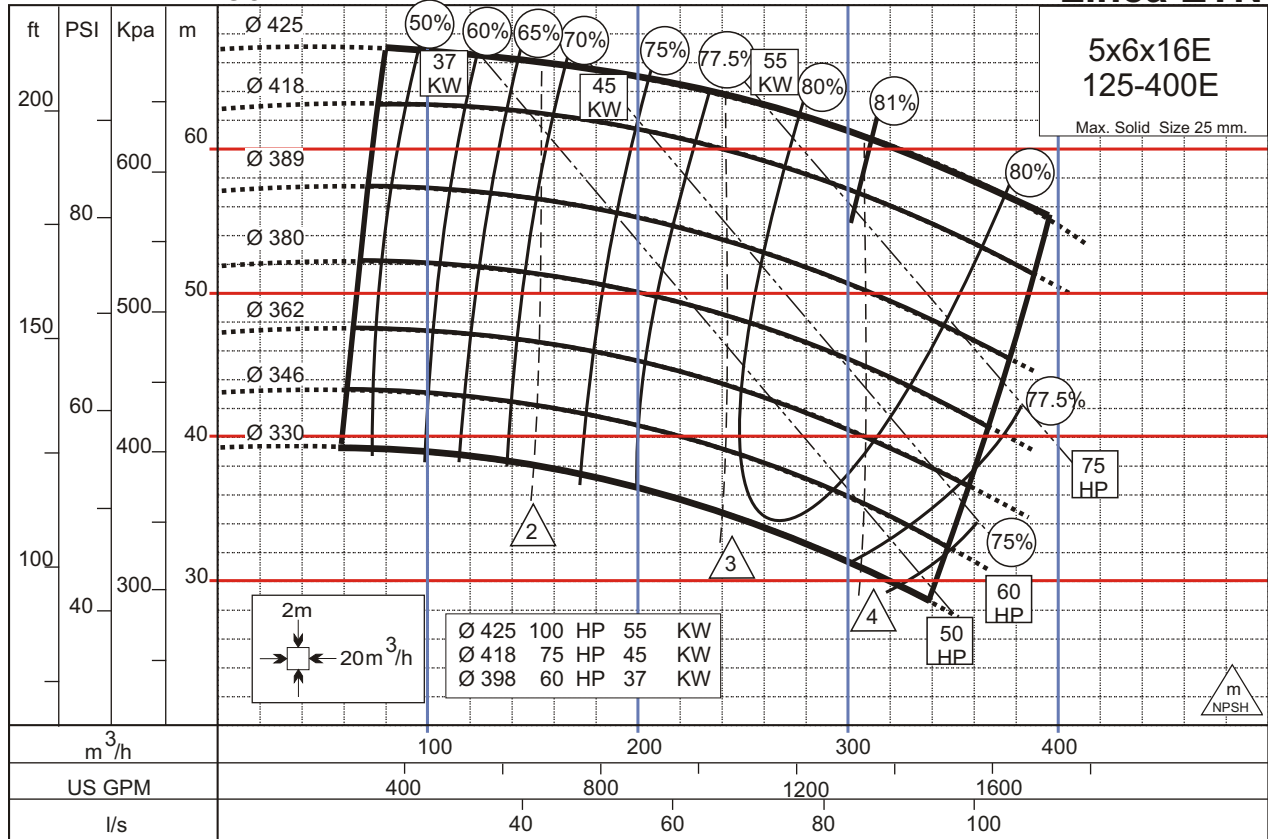
Max. Solid Size 10 mm.

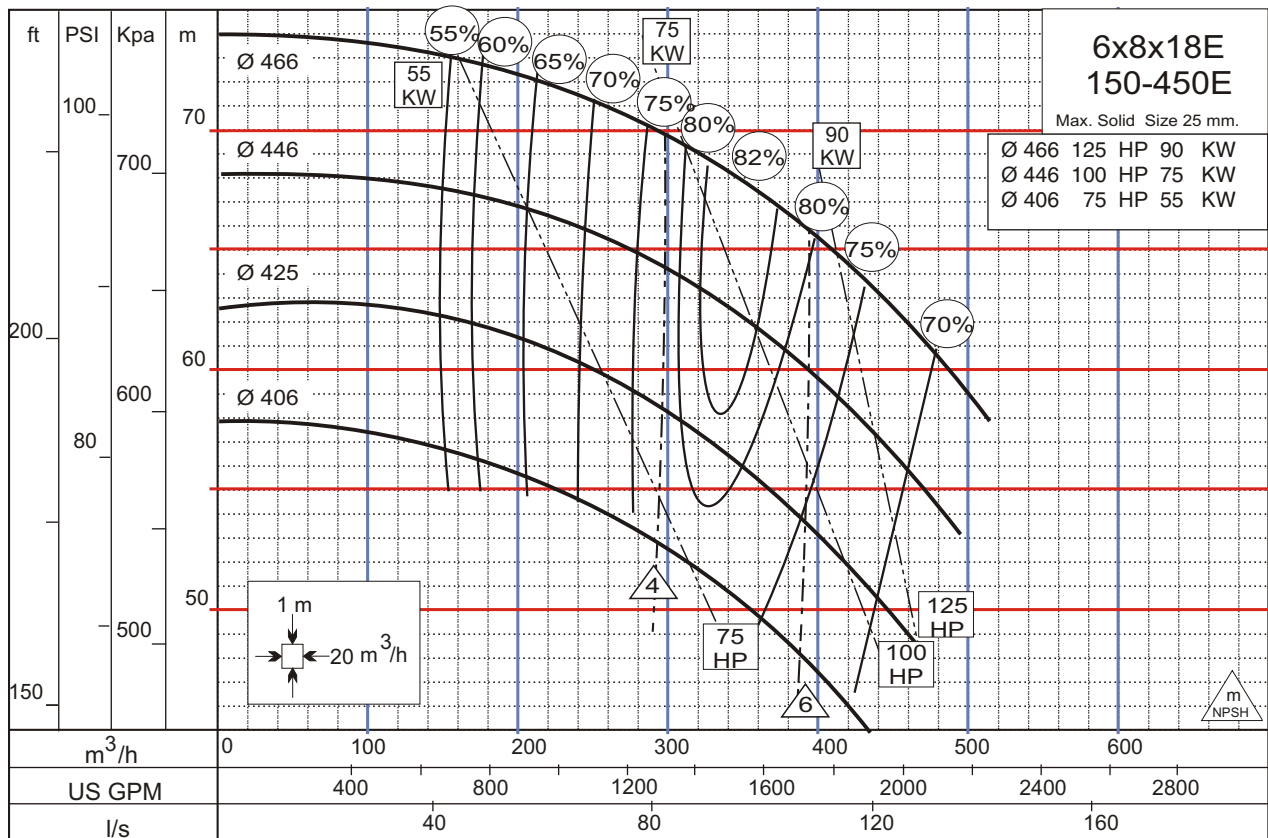
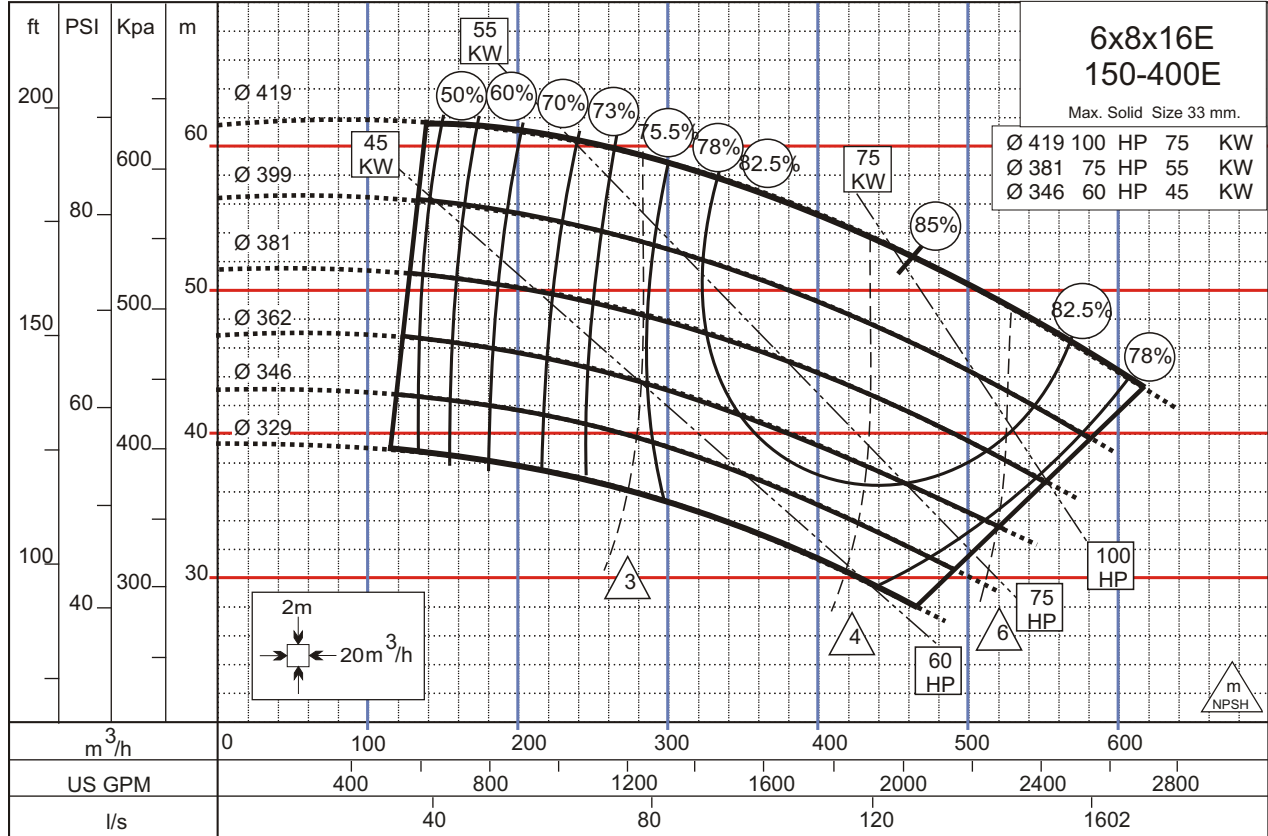
1450  
RPM



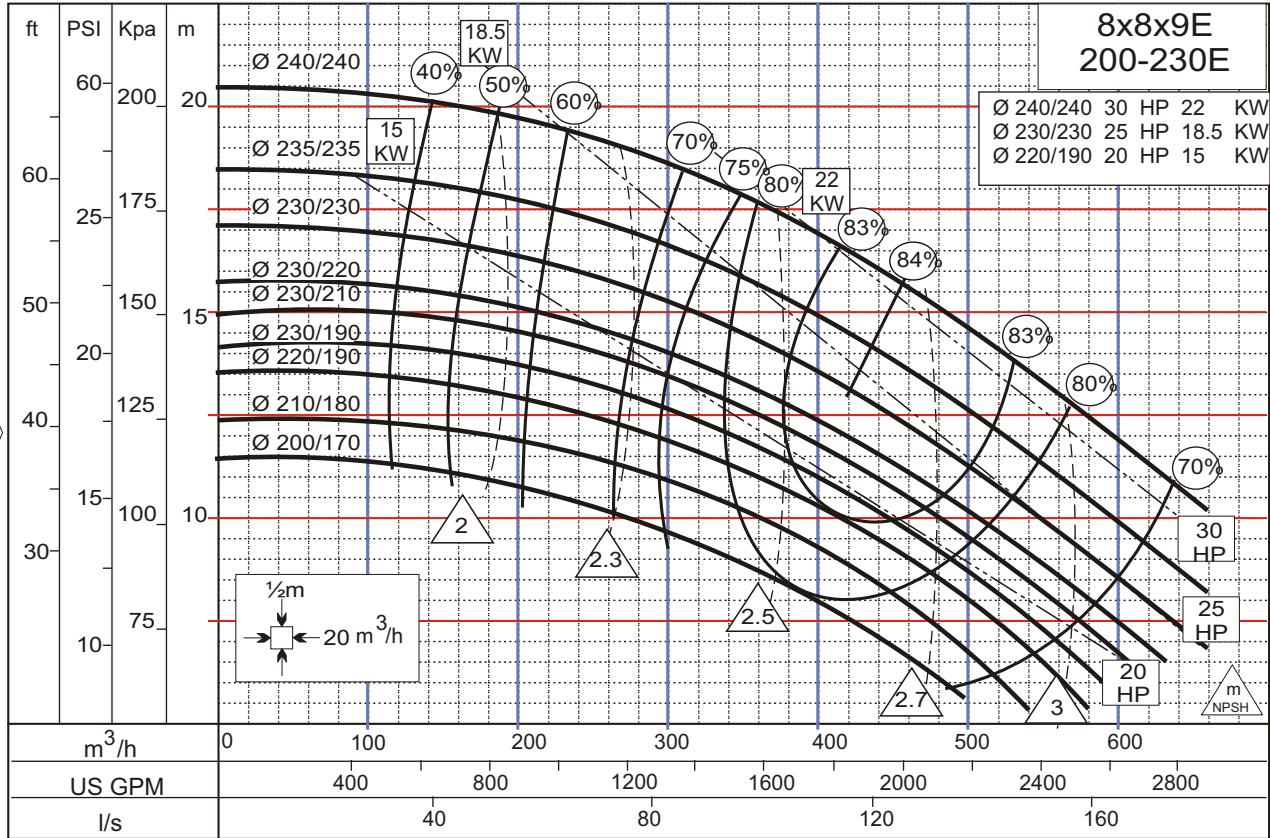
1450 RPM



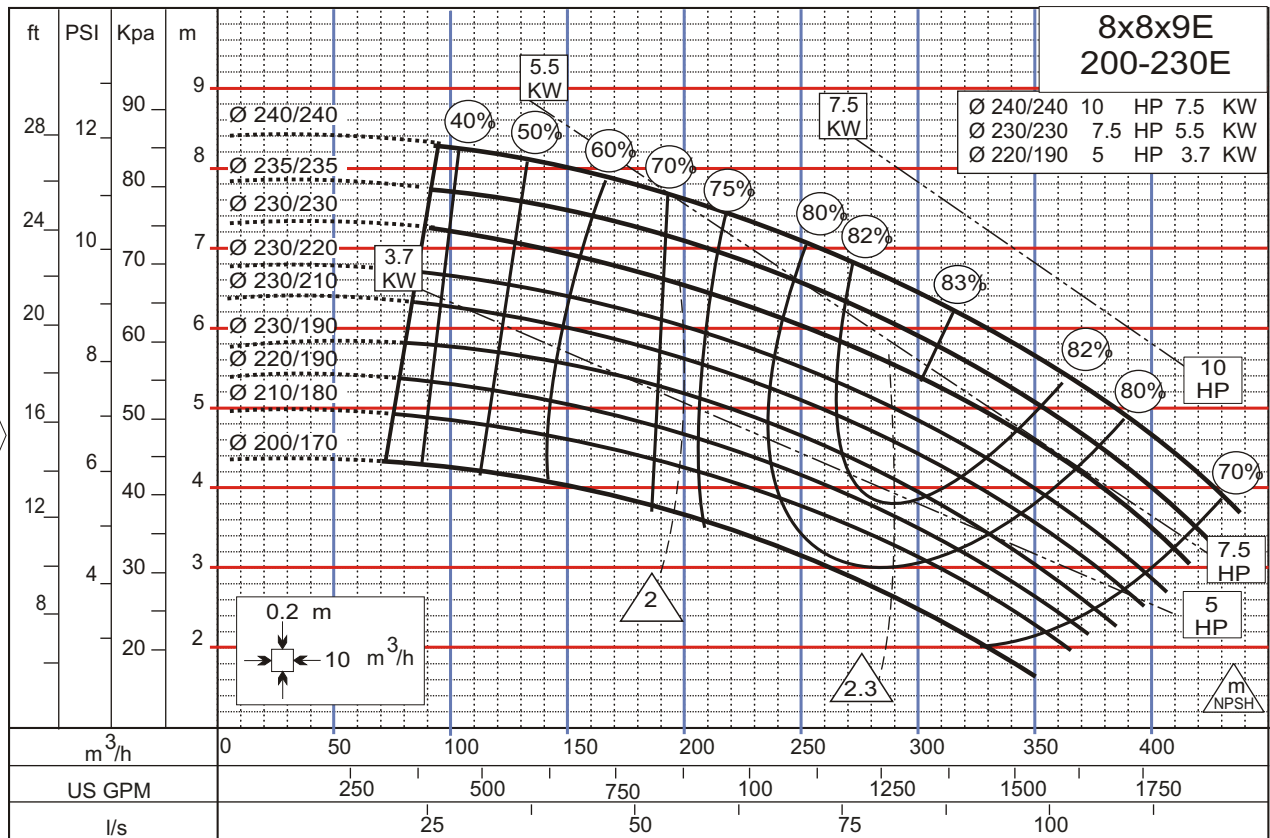


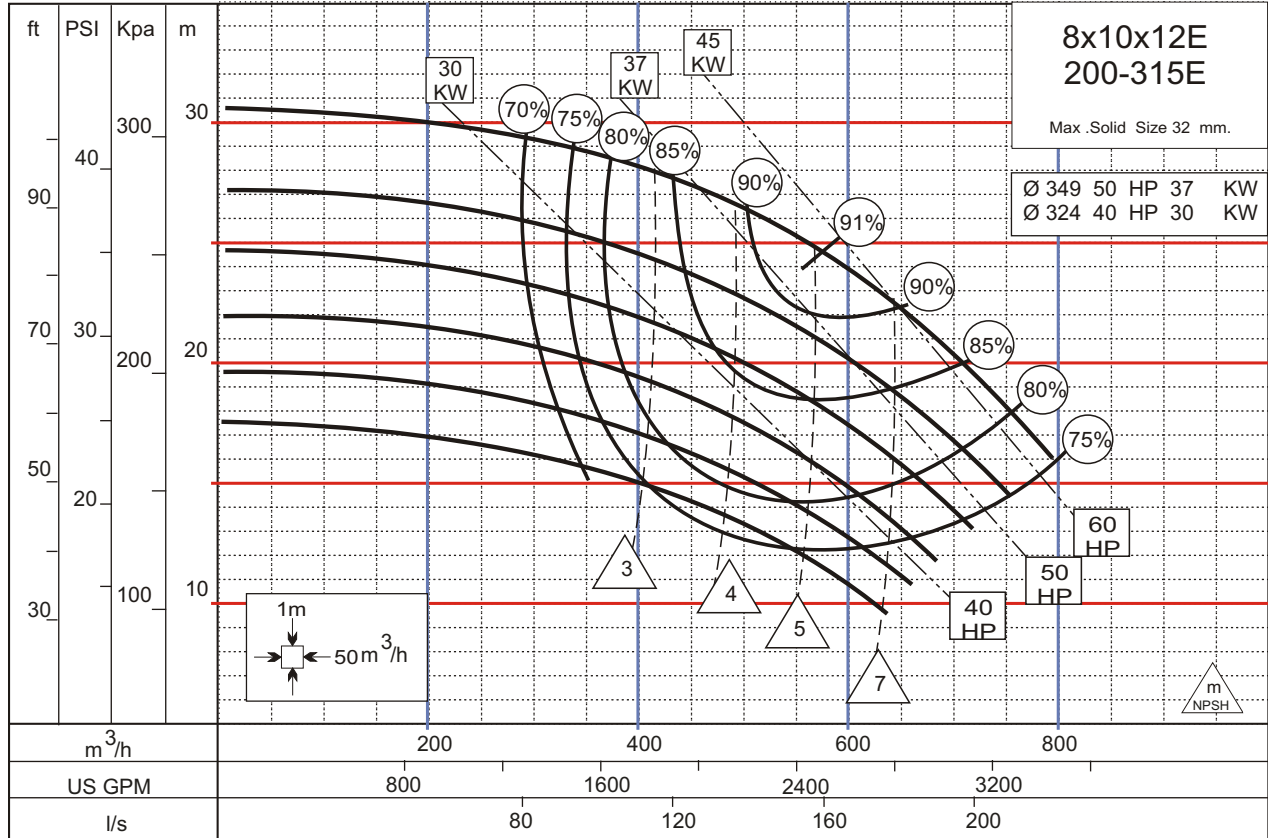


1450 RPM



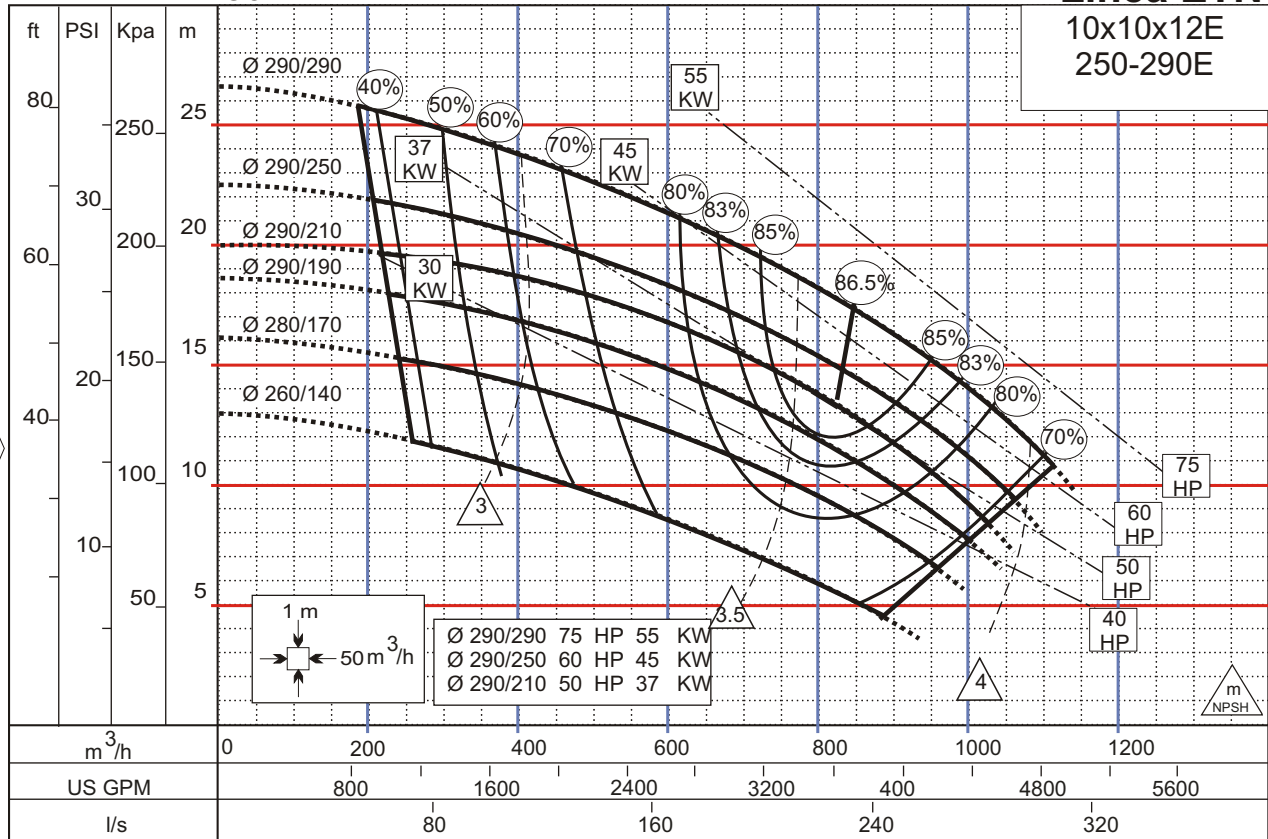
950 RPM





10x10x12E  
250-290E

1450 RPM



950 RPM

